

CALIPSO (CALibration Plan SOLid)

Automated source positioning system
 Source can be place in front of each cube centre
 Distance source / frame adjustable
 Structure made with aluminium profiles
 Frame is positionned like in the SoLid structure

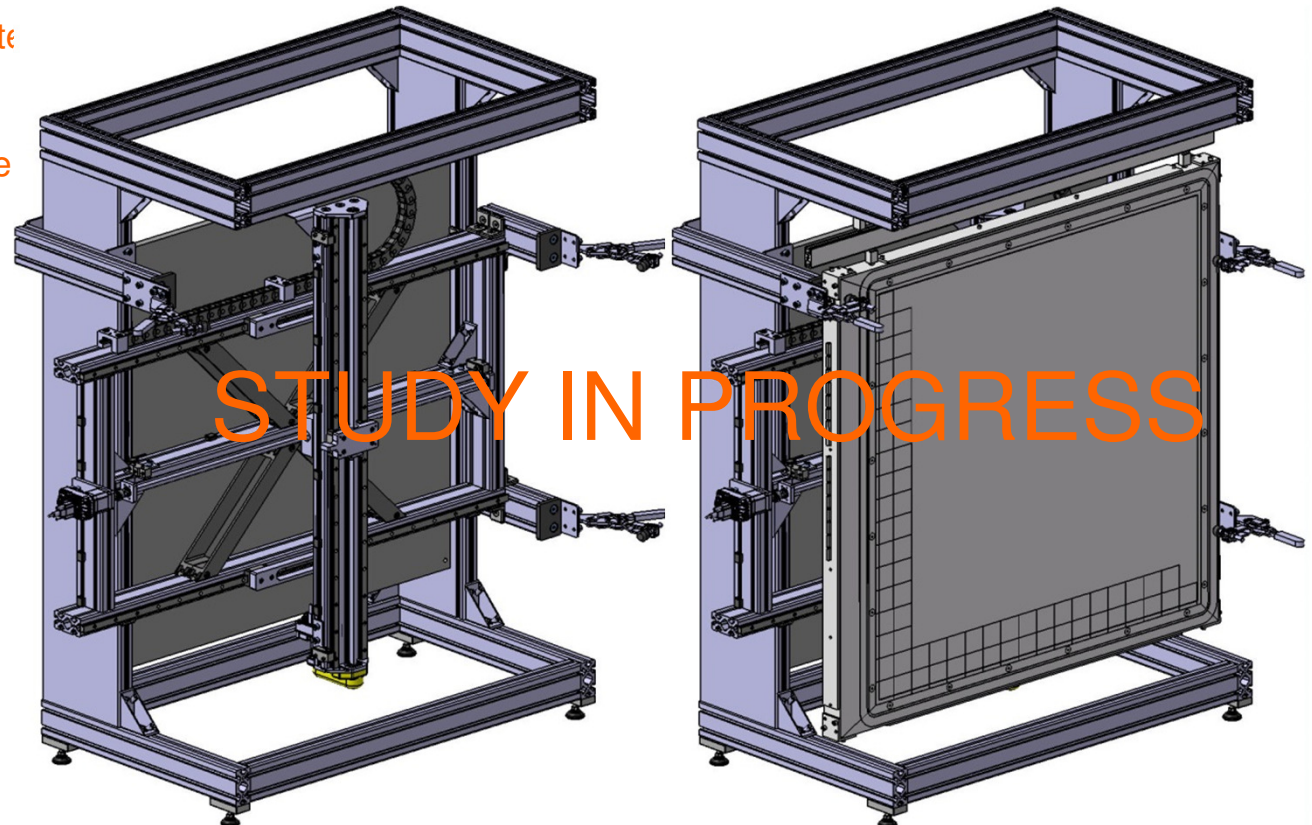
Source fitting : manual (need 1 operator)
 Frame fitting : manual (need 2 operator)
 Source travel : automatic

Position accuracy <1mm
 Dimension : 1m40 x 1m40 x 0m70
 Weight : 50kg (without frame)
 Maximum horizontal travel : 850mm
 Maximum vertical travel : 850mm
 Distance ground / frame center : 700mm

Mechanical cost 5K€ > X >10K€

To be done / To define:

- Neutron reflector integration around frame
- Source (choice, quantity, linking, shielding)
- Check if no interference with electronic



CROSS (CalibRation On Site Solid)

Very thin manual source positioning system between frame

Sources fix on tube (carbon/epoxy or fiber glass/epoxy)
Tubes insert and guid in a long hole

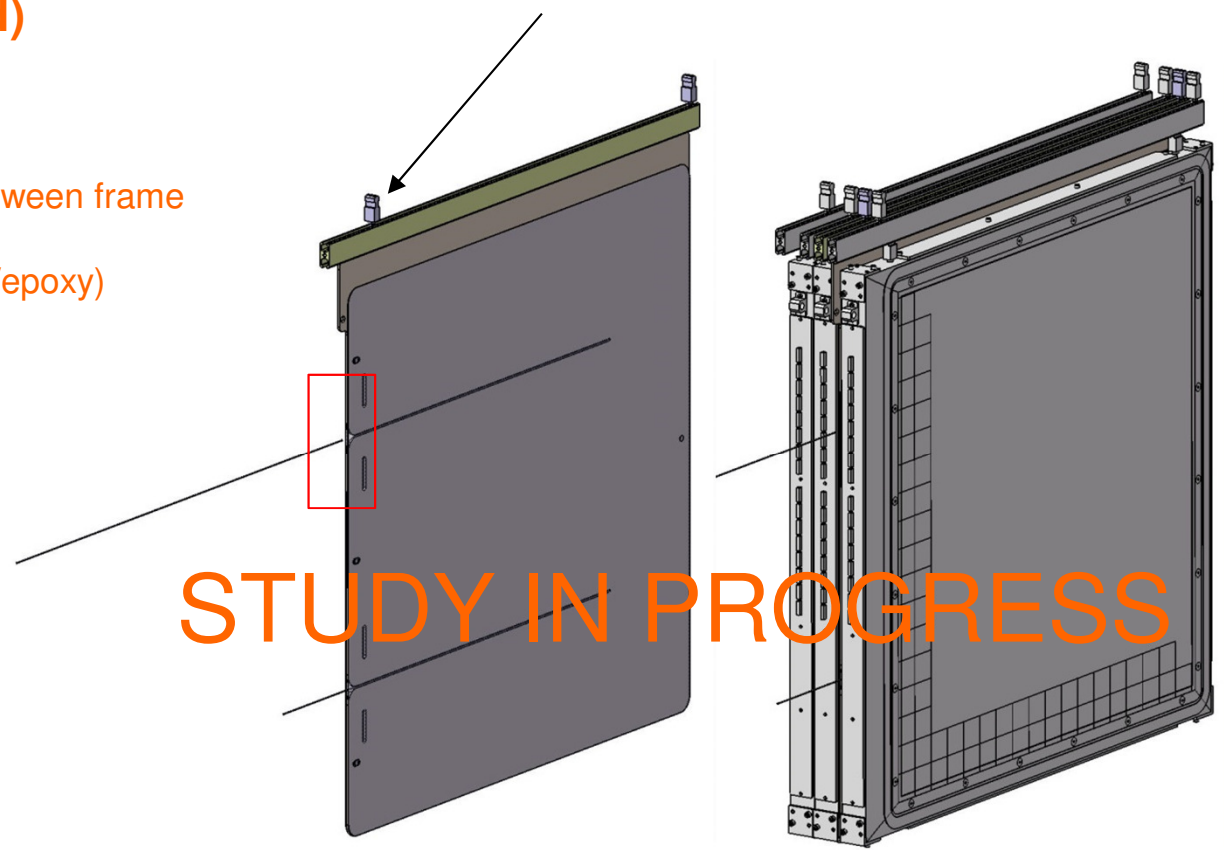
Need an operator to place tube in PE plate
Need lateral access to extract/insert tube
Tube storage ?

Position accuracy +/- 1mm
Weight : 8kg (7mm width)
Cost < 5K€

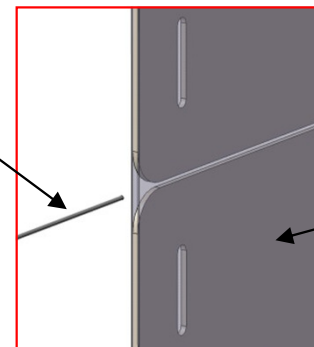
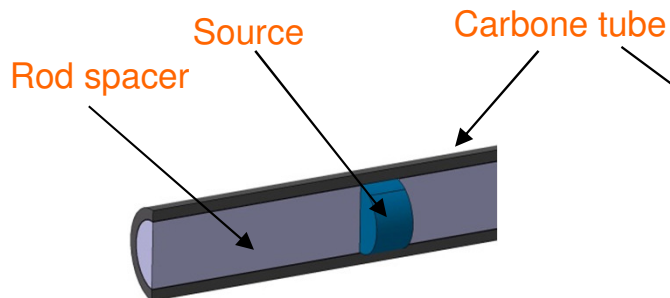
To be done / To define:

- Source (choice, quantity)
- Access / interference between electronic

Fitting like frame



STUDY IN PROGRESS



Sandwich :
1mm PE blank plate
Xmm PE plate with grooves
1mm PE blank plate